

## Pressure Reducing Valve

### Model: 42T

The BERMAD model 42T is an elastomeric, line pressure driven pilot operated pressure control valve. Designed specifically for advanced fire protection systems and the latest industry standards. The 42T reduces high upstream pressure to a precise, preset, stable downstream pressure. Due to its exceptional reliability and low head loss the 42T is ideal for control of fire pump discharge. It is also well-suited to prevent over-pressure in sprinklers, hose stations, and other discharge devices.



### Benefits and Features

- **Safety and reliability**
  - Time-proven, simple, fail-safe actuation
  - Single piece, rugged, elastomeric diaphragm seal - VRSD technology
  - Obstacle-free, uninterrupted flow path
  - Suitable for pump discharge control, due to low headloss
  - No mechanical moving parts
- **High performance**
  - Fast, smooth stabilizing response to pressure fluctuations
  - Very high flow efficiency
  - Straight through Y - type body
  - Approved for PN25 / 365 psi
- **Specifically-designed for fire protection**
  - Face-to-face length standardized to ISO 5752 EN 558-1
  - Accurate and stabilizing pressure control
  - Meets the requirements of industry standards
- **Quick and easy maintenance**
  - In-line serviceable
  - Quick cover removal without detaching control trim\*

\* not including 1½" & 2" valves

### Typical Applications

- Sprinkler feed systems
- Fire pump discharge control
- Hose station supply
- Fire hydrant supply
- Foam systems
- Zonal pressure control

### Approvals



UL-Listed  
Special System Water Control  
Valves, Pressure Reducing (VLMT)



FM Approved  
Pressure Reducing Valves



Det Norske Veritas  
(Type Approval)



ABS  
American Bureau of Shipping  
Type Approval

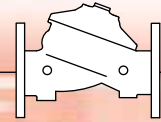


Lloyd's Register  
Type Approval

### Factory Fitted Options

- Sea water compatibility
- Large control filter
- Stainless steel seat ring
- Integrated downstream relief valve
- Position limit switches

# BERMAD Fire Protection



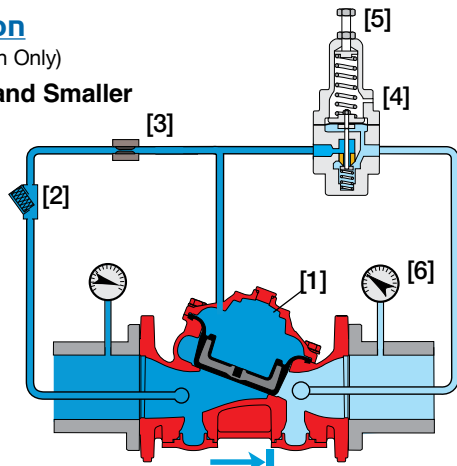
FP 42T

400Y Series

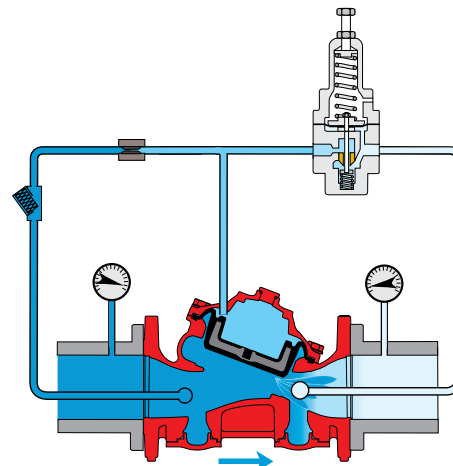
## Operation

(for Illustration Only)

### Valves 6" and Smaller

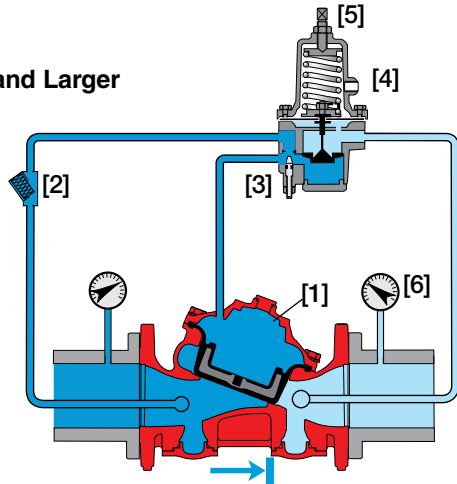


Valve Closed (non-flow conditions)

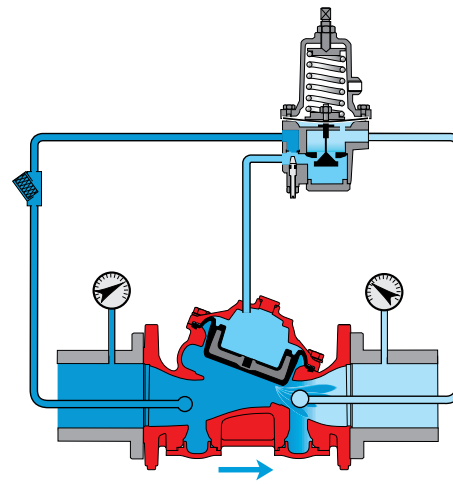


Valve Open (flow condition)

### Valves 8" and Larger



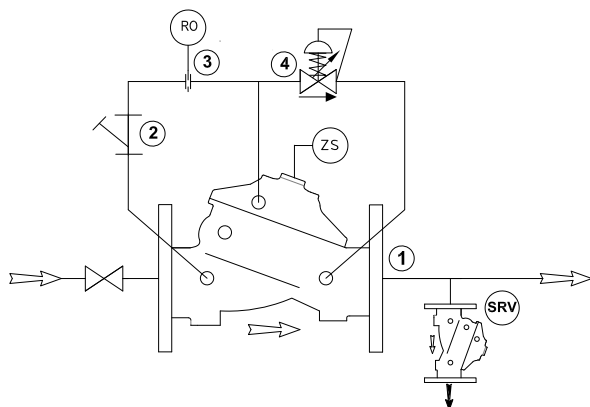
Valve Closed (non-flow conditions)



Valve Open (flow condition)

The BERMAD Model 42T pressure control valve, reduces water pressure automatically and accurately from a high inlet pressure to a lower, preset outlet pressure. The outlet set pressure can be adjusted by way of the pilot adjusting screw [5]. The valve operates under both flow and static conditions. The pressure-reducing pilot valve [4] senses changes in outlet pressure [6] and modulates the control valve to maintain the preset outlet pressure. When outlet pressure rises above the preset pressure, the pilot valve throttles, enabling pressure to accumulate in the control chamber [1], this causes the control valve to close further and reduce outlet pressure. When outlet pressure falls, the pilot valve opens wider, releasing pressure from the control chamber. This causes the control valve to open wider and increase outlet pressure. An integral restrictor [3] controls the valve's closing speed. For valves 8" and larger an adjustable needle valve is provided.

## System P&ID

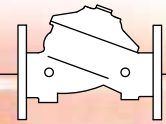


### Components

- 1 BERMAD 400Y Water Control Valve
- 2 Y Strainer
- 3 Restriction Orifice
- 4 Pressure Reducing Pilot Valve

### Factory Fitted Options

- ZS Limit Switch Assembly
- SRV BERMAD 43T Pressure Relief Valve



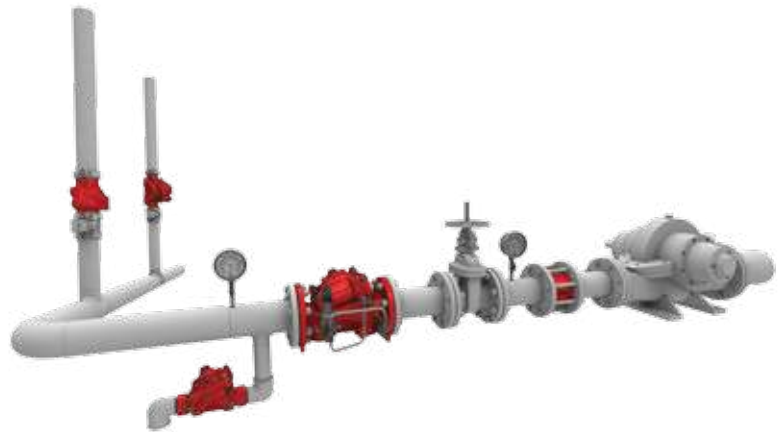
## System Installation

A typical installation of the BERMAD model 42T features a pilot valve for the automatic stable and accurate reduction of water pressure from a high upstream value to a preset lower downstream value, regardless of fluctuating upstream pressure or flow. A unique actuator design ensures quick and smooth valve action.

Installed singly, the 42T provides a standard pressure-reducing system. Installed in parallel, two 42T valves provide high flow rates, redundancy, and zero downtime for maintenance. Installed in series, two 42T valves can provide a two-stage, high reduction in pressure and/or added protection to a reduced-pressure zone.

### **Sprinkler System Pressure Reduction**

- Reduces a high, unstable pressure supply to a preset, stable system pressure
- Sets the sprinkler pressure to suit the system design
- For zonal pressure control



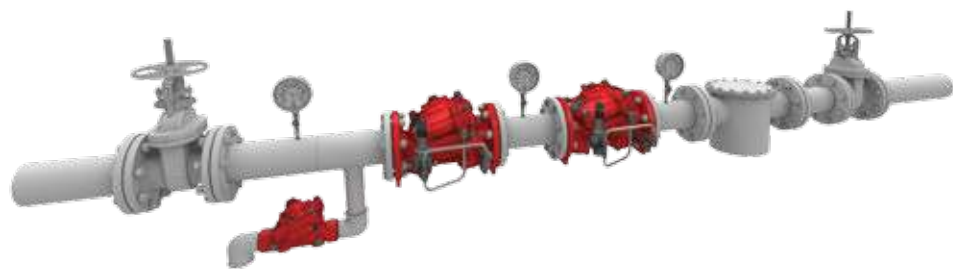
### **Hose System Pressure Reduction**

- Reduces a high/unstable pressure supply to suit fire hose pressure
- Limits fire hose pressure to 7 bar (100 psi) to meet NFPA 14 regulations for maximum allowable hose pressure supply



### **Two-Stage Pressure Reduction**

- High pressure reduction to a low, preset, stable system pressure (when pressure reduction differential is more than 12 bar/175 psi)
- Backup pressure reducing valve in-line to a master valve to secure pressure zone rating at all times



(for Illustration Only)

## Engineer Specifications:

The pressure reducing valve shall maintain a constant, preset, downstream pressure regardless of fluctuating upstream pressure or flow.

The valve shall be UL listed and FM approved, 25 bar/365 psi rated, line pressure driven and pilot operated, pressure control valve. The valve shall be elastomeric-type with a straight-through Y-type-body design. It shall have an unobstructed flow path with no stem guide or supporting ribs.

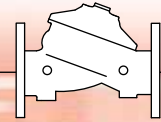
Valve actuation shall be accomplished by a one-piece, rolling diaphragm bonded with a rugged radial seal disc.

The diaphragm assembly shall be the only moving part.

Maintenance, inspection or service shall be carried out in-line and without disassembly of the control trim.

The control trim shall be supplied pre-assembled and hydraulically tested by a factory certified to ISO 9000 and 9001 standards.

# BERMAD Fire Protection



FP 42T

400Y Series

## Technical Data

### Available Sizes (inch)

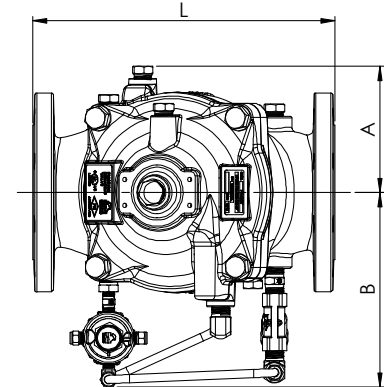
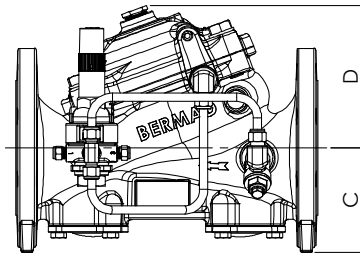
- Flanged - 1½, 2, 3, 4, 6, 8, 10, 12, 14 & 16"
- Grooved - 2, 3, 4, 6 & 8"
- Threaded - 1½ & 2"

### Pressure Rating

- ANSI#150 - 16 bar / 235 psi
- ANSI#300 - 25 bar / 365 psi
- Grooved - 25 bar / 365 psi
- Setting range: 4 - 12 bar (60 - 175 psi)
- Max recommended differential: 12 bar (175 psi)

### Temperature Rating

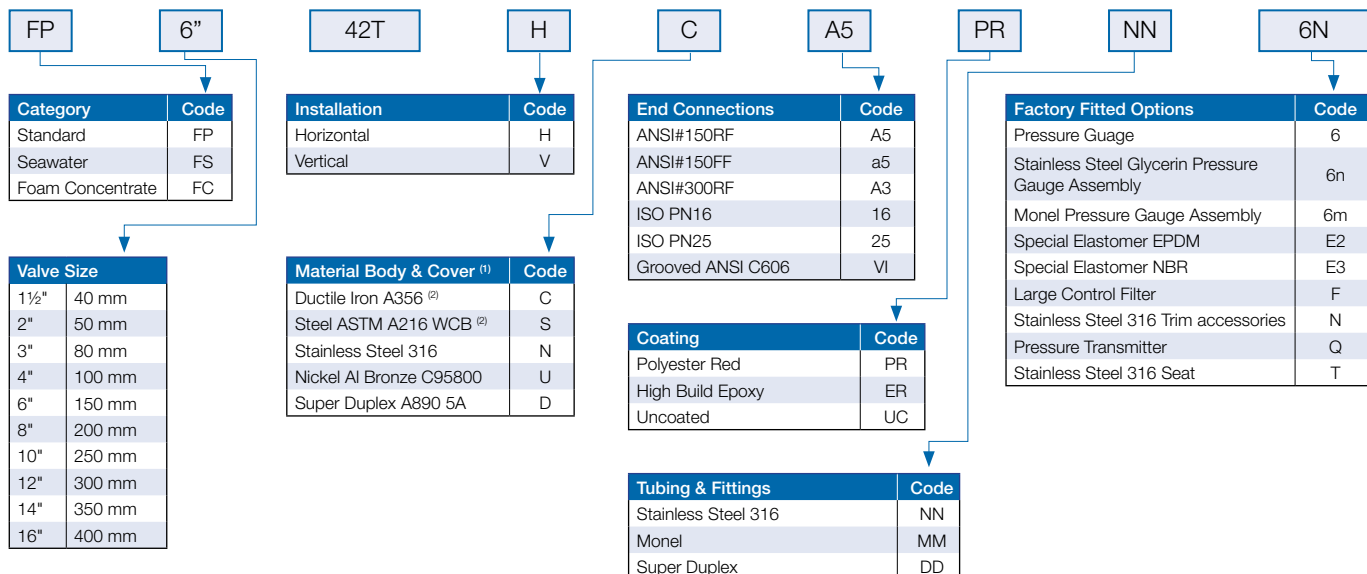
- 60°C / 140°F with NR elastomers
- 90°C / 194°F with EPDM elastomers



Valve Size	1½" DN40	2" DN50	3" DN80	4" DN100	6" DN150	8" DN200	10" DN250	12" DN300	14" DN350	16" DN400
<sup>(1)</sup> L <sup>1</sup> ANSI #150 mm (in.)	230(9.06)	230(9.06)	310(12.21)	350(13.79)	480(18.91)	600(23.64)	730(28.76)	850(33.49)	980(38.61)	1100(43.34)
L <sup>2</sup> ANSI #300 mm (in.)	230(9.06)	235(9.25)	326(12.84)	368(14.50)	506(19.94)	626(24.66)	730(28.76)	850(33.49)	980(38.61)	1100(43.34)
A mm (in.)	77.5(3)	77.5(3)	100(3.94)	115(4.53)	140(5.51)	172(6.77)	204(8)	242(9.53)	242(9.53)	242(9.53)
B mm (in.)	155(6.10)	155(6.10)	251(9.88)	266(10.47)	372(14.65)	490(19.29)	490(19.29)	656(25.83)	656(25.83)	656(25.83)
C mm (in.)	64(2.52)	77(3.03)	106(4.17)	121(4.76)	140(5.51)	172(6.77)	204(8.03)	247(9.72)	272(10.71)	316(12.44)
D mm (in.)	119(4.69)	119(4.69)	146(5.75)	158(6.22)	205(8.07)	256(10.08)	256(10.08)	441(17.36)	441(17.36)	441(17.36)
Kv m <sup>3</sup> /h (Cv gpm)	68(79)	80(92)	190(219)	345(398)	790(912)	1165(1346)	1355(1652)	2650(3100)	2950(3450)	3254(3801)
<sup>(2)</sup> Leq m (ft)	2(6)	4(14)	8(25)	8(25)	13(43)	24(78)	55(179)	38(125)	66(215)	115(370)
Weight, flanged kg (lbs)	11.5(25.3)	12.8(28.2)	27.5(60.5)	37.5(82.5)	81(178.2)	146(321.2)	176(387.2)	321(706.2)	354(778.8)	400(880)

Notes: <sup>(1)</sup> L<sup>1</sup> Dimensions are for grooved, threaded and raised face flanged valves  
<sup>(2)</sup> Leq: Equivalent pipe length for turbulent flow in clean commercial steel pipe (SCH 40)

## Valve Code Designations



Notes:  
<sup>(1)</sup> Other materials available, see engineering data  
<sup>(2)</sup> Coated internally and externally



info@bermad.com • www.bermad.com

© Copyright 2007-2012 Bermad CS Ltd. All Rights Reserved. The information contained in this document is subject to change without notice. BERMAD shall not be liable for any errors contained herein. PEYPE14-42T 3/15 Rev.1